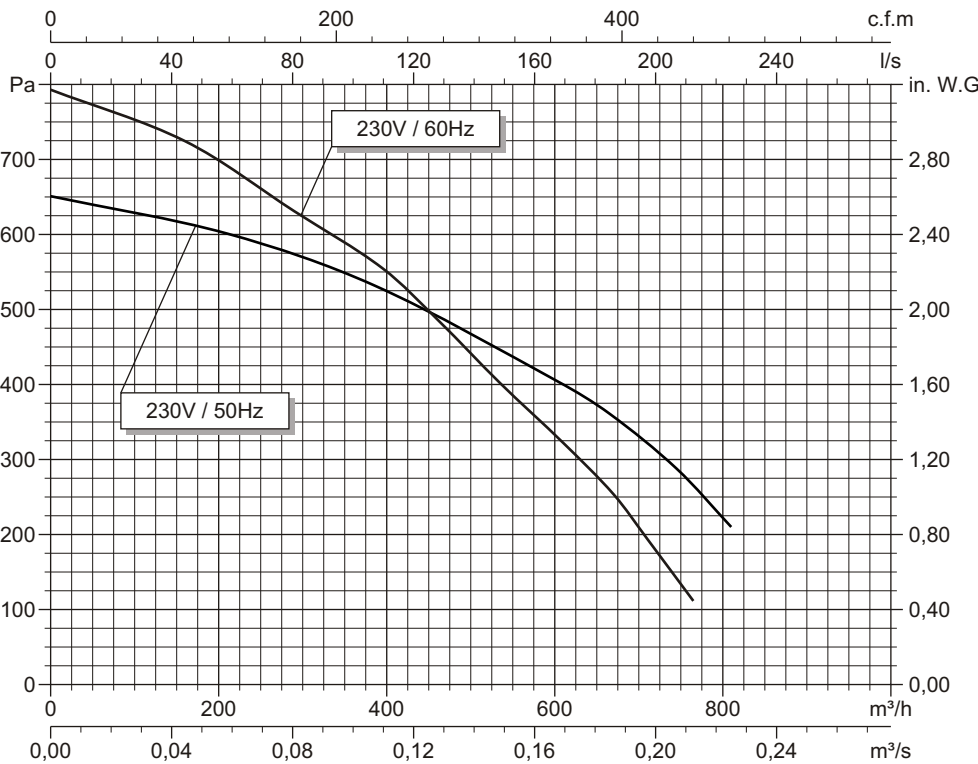
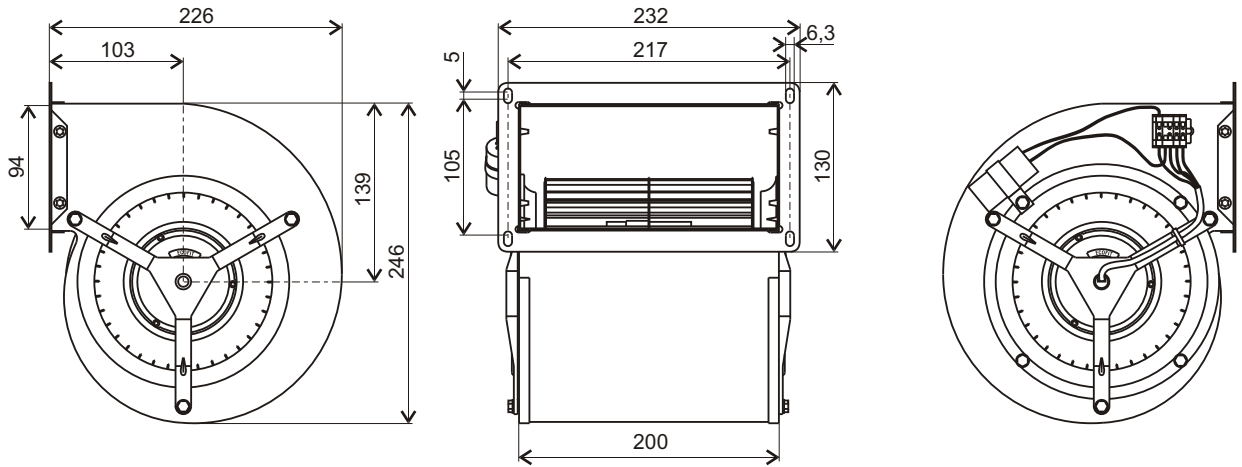
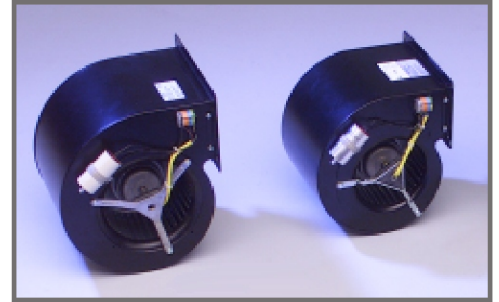


For professional use only. Please refer to the conditions of use of our catalogue.

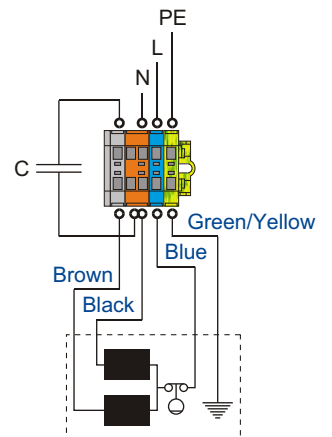
February 2002

2GDF55 160x160L code R10-12

Voltage	Frequency	Input power	Current	Capacitor	Air flow	Rotational speed	Sound level	Direction of rotation	Max. Air temp.
V	Hz	Wa	A	µF	m³/h	rpm	dBA	↻	°C
230	50	262	1,24	8,5	810	1740	59	L	-20 / +50
230	60	289	1,39	8,5	770	1380	54	L	-20 / +50



- Ball bearings.
- Cl.F windings protected by thermal cut-out.
- Protection IP 54.
- Balancing G2.5.
- Steel painted black scroll.
- Galvanised steel impeller
- Capacitor fixed on the scroll and connected to a WAGO Connector.



Finguer guard

21291-0