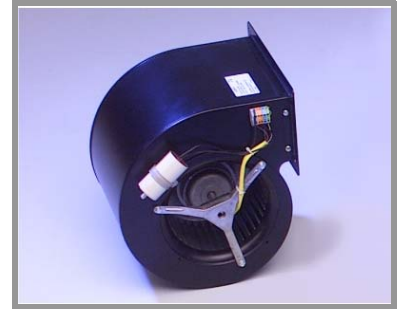


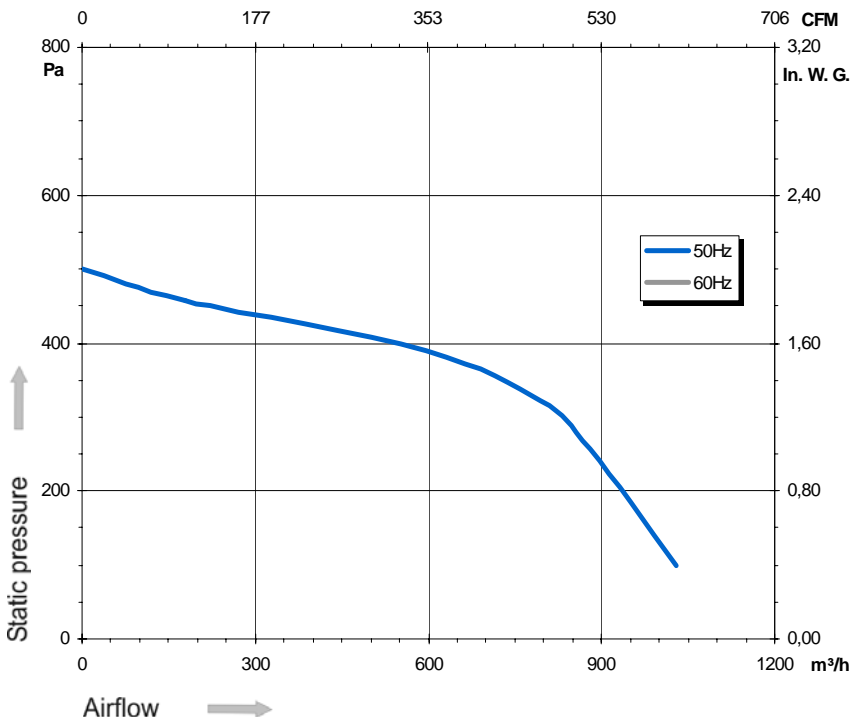
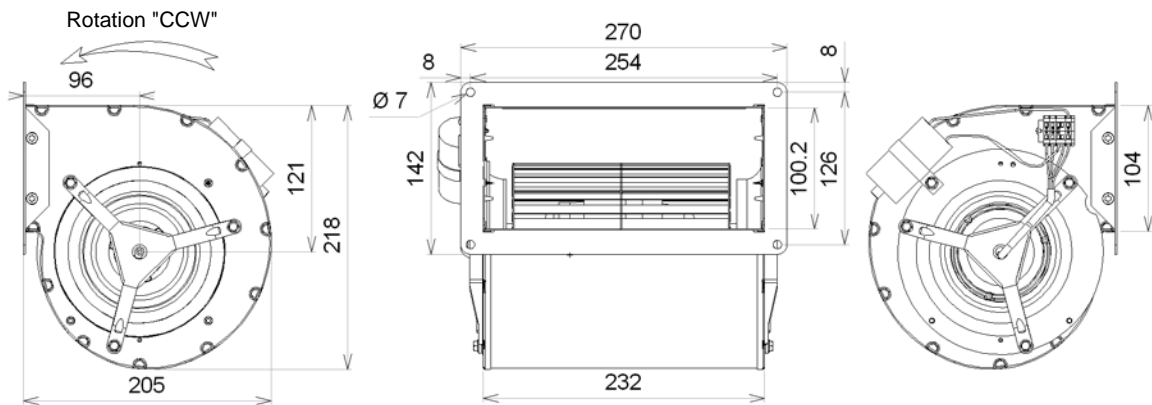
Ind. a - Revision : 03-2005

## 2GDF65 146x180L

## P/N Z18-26

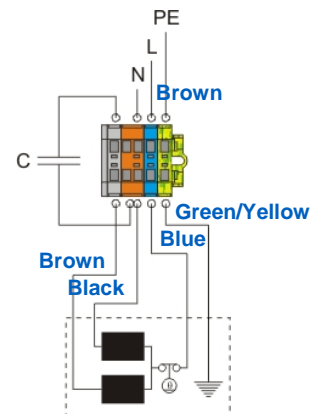


Voltage	Frequency	Input power	Current	Capacitor	Airflow	Speed rotation	Noise level	Rotation direction	Operating temperature
V	Hz	Wa	A	µF	m³/h	RPM	dBA	↻	Min / Max
230	50	360	1,59	10,0	1 015	1 975	64	L	-20°C / +50°C



- Ball bearing
- Class F, thermally protected
- IP54 protection
- G2.5 balancing
- Scroll housing : black paint
- Galvanized steel impeller
- Capacitor fixed on the scroll and wired to a WAGO Connector

Capacitor for 50Hz	Capacitor for 60Hz	Zinc Coated
-	-	21290-b



Non contractual document. All specifications are subject to change without prior notice. Picture for information only.