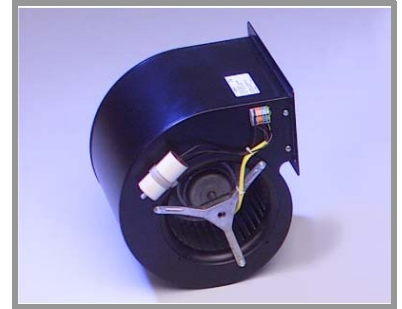
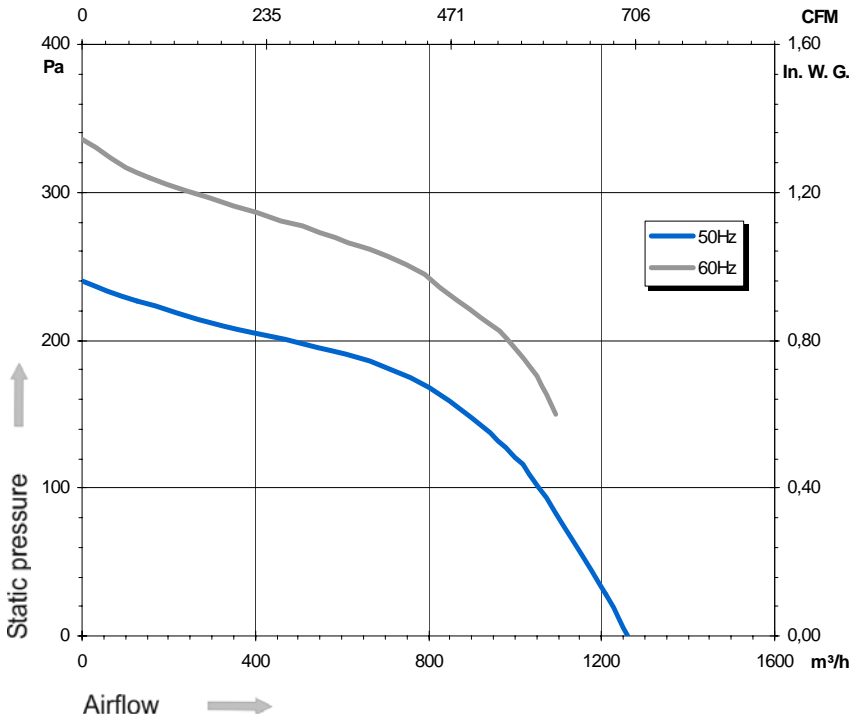
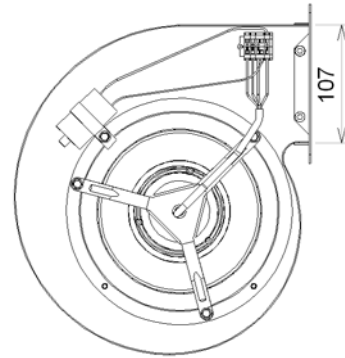
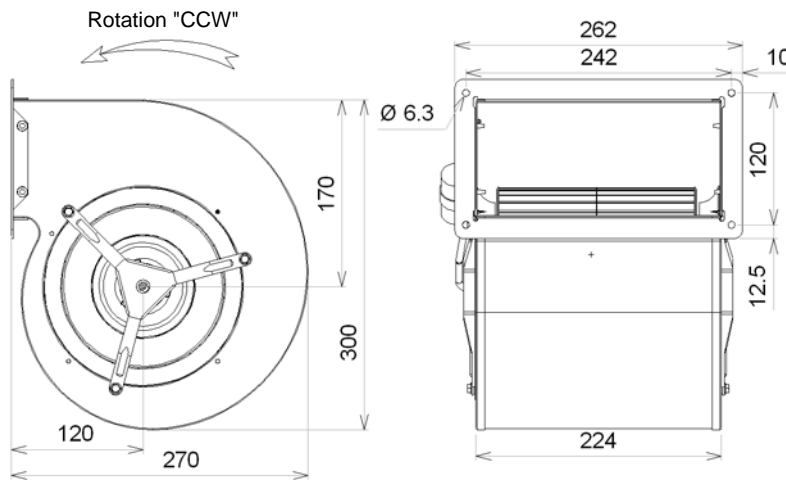


Ind. b - Revision : 04-2005

4GDF55 180x180L P/N R10-04

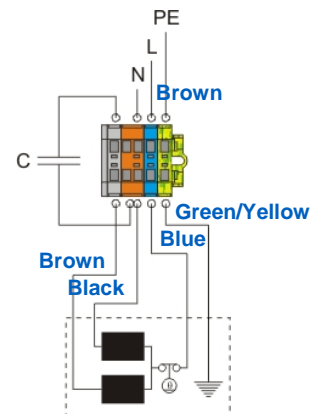


Voltage	Frequency	Input power	Current	Capacitor	Airflow	Speed rotation	Noise level	Rotation direction	Operating temperature
V	Hz	Wa	A	µF	m³/h	RPM	dBA	↻	Min / Max
230	50	213	1,05	5,0	1 260	980	56	L	-20°C / +40°C
230	60	225	1,18	5,0	1 025	1 310	54	L	-20°C / +40°C



- Ball bearing
- Class F, thermally protected
- IP54 protection
- G2.5 balancing
- Scroll housing : black paint
- Galvanized steel impeller
- Capacitor fixed on the scroll and wired to a WAGO Connector

Capacitor for 50Hz	Capacitor for 60Hz	Zinc Coated
-	-	21291-0



Non contractual document. All specifications are subject to change without prior notice. Picture for information only.